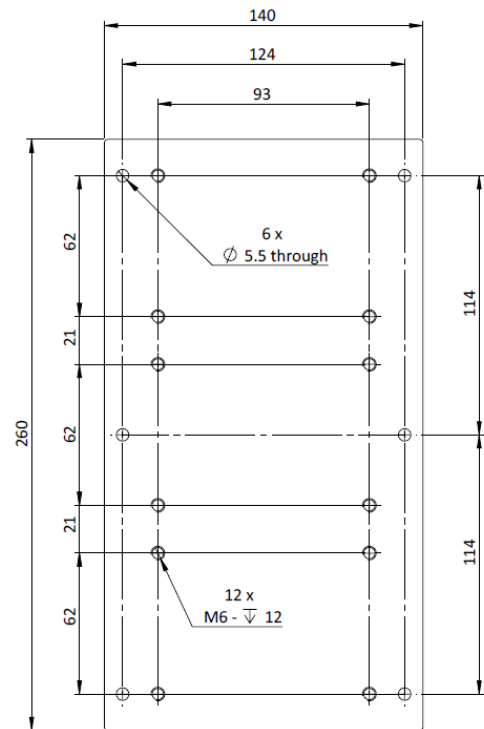


- ✓ **compact** (140 x 260 x 18.5 mm)
- ✓ **light** (1.6 kg)
- ✓ **efficient** ($R_{th} = 8 \text{ } ^\circ\text{C/kW}$ @ 5 l/min)
- ✓ **safe and reliable** Leak free (100% tested @ 10 bar)

Materials: Aluminum alloy Al EN AW 6060 + turbulators inside

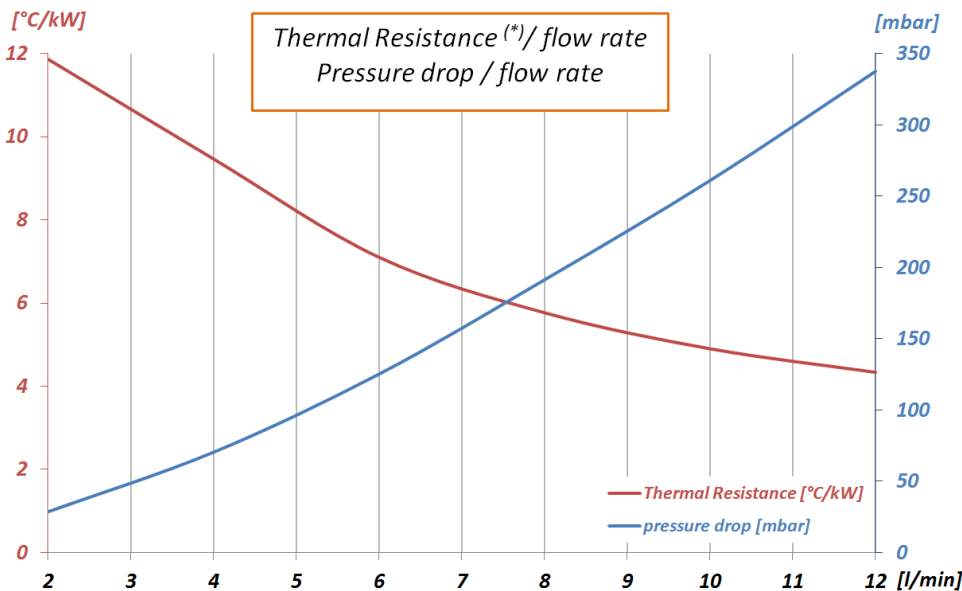
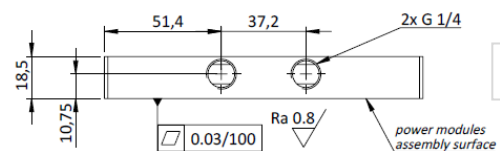
Cooling circuit 100% sealed by brazing under controlled atmosphere

Very uniform temperature distribution under power modules



Compatible Power Module Packages:

- ✓ MITSUBISHI IGBTMOD™ A, NF & NFH Series
- ✓ FUJI Semiconductor M238 and M247



Suitable for any high power semiconductor application



Please contact Priatherm
info@priatherm.com
for any technical support

(*) Thermal Resistance: max T_{LCP} surface to $T_{fluid IN}$ (Water + Ethylene Glycol 50%vol. @40°C)